



Modular Cooking Range Line 900XP 6-Burner Gas Range 10 kW on Large Gas Oven

ITEM # _____

MODEL # _____

NAME # _____

SIS # _____

AIA # _____



391016 (E9GCGL6CLM)

6-Burner (10 kW each) gas
Range on large gas Oven
(12 kW)

Short Form Specification

Item No. _____

To be installed on stainless steel feet with height adjustment up to 50 mm. High efficiency flower flame burners with continuous power regulation and optimized combustion. Flame failure device as standard on burners to protect against accidental extinguishing. Oven chamber with 3 levels of runners to accommodate shelves (wxd 972x687mm). Ribbed, cast-iron oven base plate. Exterior panels of unit in stainless steel with Scotch Brite finish. Pan supports in heavy duty cast iron. Extra strength work top in heavy duty 2 mm Stainless steel. Right-angled side edges to allow flush-fitting junction between units.

Main Features

- Unit to be mounted on stainless steel feet with height adjustment up to 50 mm. Unit can be easily mounted on cantilever systems.
- The six 10 kW high efficiency burners are available in 100 mm diameter with continuous power regulation from 2.2 kW to 10 kW.
- Gas appliance supplied for use with natural or LPG gas, conversion jets supplied as standard.
- Large sized pan support in cast iron (stainless steel as option) with long center fins to allow the use of the largest down to the smallest pans.
- Burners with optimized combustion.
- Flame failure device on each burner protects against gas leakage when accidental extinguishing of the flame occurs.
- Protected pilot light.
- Base compartment consists of a large gas heated standard oven with stainless steel burners and self stabilizing flame positioned beneath the base plate. Oven chamber to have 3 levels of runners to accommodate 2/1 GN shelves (2 steam pans) and ribbed cast iron base plate.
- Oven thermostat adjustable from 120 °C to 280 °C.
- 40 mm thick oven door for heat insulation.
- The special design of the control knob system guarantees against water infiltration.
- IPX5 water protection.
- Control knobs provide smooth, continuous rotation from min to max power level.

Construction

- Unit is 930 mm deep to give a larger working surface area.
- All exterior panels in Stainless Steel with Scotch Brite finishing.
- AISI 304 stainless steel worktop, 2mm thick.
- Model has right-angled side edges to allow flush fitting joints between units, eliminating gaps and possible dirt traps.

Included Accessories

- 1 of Chrome grid for large oven PNC 206204

Optional Accessories

- Kit for advanced filtration system for 23-litre fryer, allowing to remove the smallest food residuals and extend oil life - 900XP PNC 200084
- Junction sealing kit PNC 206086

APPROVAL: _____

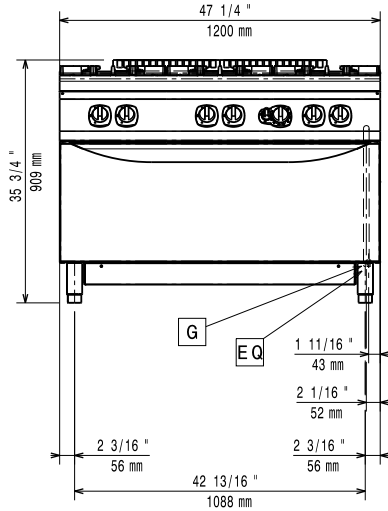


Experience the Excellence
www.electroluxprofessional.com

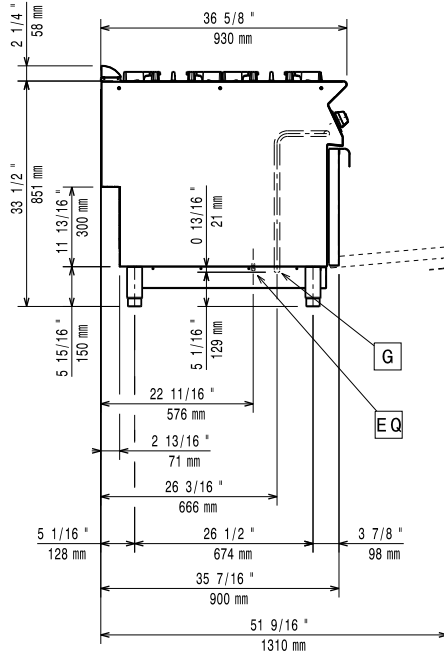
• Draught diverter, 150 mm diameter	PNC 206132	<input type="checkbox"/>	• 2 side covering panels for free standing appliances	PNC 216134	<input type="checkbox"/>
• Matching ring for flue condenser, 150 mm diameter	PNC 206133	<input type="checkbox"/>	• Pressure regulator for gas units	PNC 927225	<input type="checkbox"/>
• Kit 4 wheels - 2 swivelling with brake - it is mandatory to install Base support and wheels	PNC 206135	<input type="checkbox"/>			
• Flanged feet kit	PNC 206136	<input type="checkbox"/>			
• Frontal kicking strip for concrete installation, 1200mm	PNC 206151	<input type="checkbox"/>			
• Frontal kicking strip for concrete installation, 1600mm	PNC 206152	<input type="checkbox"/>			
• Single burner smooth plate for direct cooking - fits frontal burners only	PNC 206171	<input type="checkbox"/>			
• Single burner ribbed plate for direct cooking - fits frontal burners only	PNC 206172	<input type="checkbox"/>			
• Frontal kicking strip, 1200mm (not for refr-freezer base)	PNC 206178	<input type="checkbox"/>			
• Frontal kicking strip, 1600mm (not for refr-freezer base)	PNC 206179	<input type="checkbox"/>			
• Pair of side kicking strips (not for refr-freezer base)	PNC 206180	<input type="checkbox"/>			
• 2 panels for service duct for single installation	PNC 206181	<input type="checkbox"/>			
• 2 panels for service duct for back to back installation	PNC 206202	<input type="checkbox"/>			
• Chrome grid for large oven	PNC 206204	<input type="checkbox"/>			
• Kit 4 feet for concrete installation (not for 900 line free standing grill)	PNC 206210	<input type="checkbox"/>			
• Flue condenser for 1 module, 150 mm diameter	PNC 206246	<input type="checkbox"/>			
• Water column with swivel arm (water column extension not included)	PNC 206289	<input type="checkbox"/>			
• Water column extension for 900 line	PNC 206290	<input type="checkbox"/>			
• Stainless steel double grid for 2 burners	PNC 206298	<input type="checkbox"/>			
• Chimney upstand, 1200mm	PNC 206306	<input type="checkbox"/>			
• Back handrail 1200 mm	PNC 206309	<input type="checkbox"/>			
• Wok pan support for open burners (700/900)	PNC 206363	<input type="checkbox"/>			
• Base support for feet or wheels - 1200mm (700/900)	PNC 206368	<input type="checkbox"/>			
• Base support for feet or wheels - 1600mm (700/900)	PNC 206369	<input type="checkbox"/>			
• Base support for feet or wheels - 2000mm (700/900)	PNC 206370	<input type="checkbox"/>			
• Rear paneling - 1200mm (700/900)	PNC 206376	<input type="checkbox"/>			
• Kit town gas nozzles (G150) for 900 gas ranges on gas oven	PNC 206385	<input type="checkbox"/>			
• Chimney grid net, 400mm (700XP/900)	PNC 206400	<input type="checkbox"/>			
• Kit G.25.3 (NI) gas nozzles for 900 freestanding gas cookers on oven	PNC 206458	<input type="checkbox"/>			
• Side handrail-right/left hand (900XP)	PNC 216044	<input type="checkbox"/>			
• Frontal handrail, 1200mm	PNC 216049	<input type="checkbox"/>			
• Frontal handrail, 1600mm	PNC 216050	<input type="checkbox"/>			

Modular Cooking Range Line 900XP 6-Burner Gas Range 10 kW on Large Gas Oven

Front

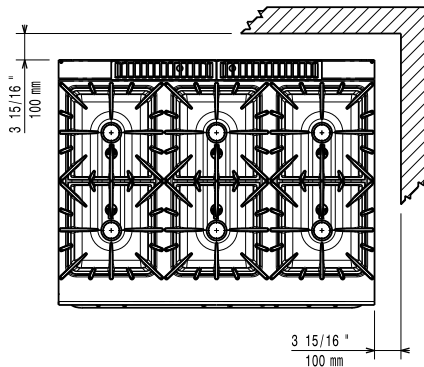


Side



G = Gas connection

Top



Gas

Gas Power:	391016 (E9GCGL6CLM)	72 kW
Standard gas delivery:		Natural Gas G20 (20mbar)
Gas Type Option:		LPG; Natural Gas
Gas Inlet:		1/2"

Key Information:

Front Burners Power:	ISO 9001; ISO 14001 - ISO 9001; ISO 14001 kW
Back Burners Power:	10 - 10 kW
Middle Burners Power:	10 - 0/10 - 0 kW
Back Burners Dimension - mm	Ø 100 Ø 100
Front Burners Dimension - mm	Ø 100 Ø 100
Middle Burners Dimension - mm	Ø 100 Ø 100
Oven working Temperature:	120 °C MIN; 280 °C MAX

Oven Cavity Dimensions (width):	1000 mm
Oven Cavity Dimensions (height):	380 mm
Oven Cavity Dimensions (depth):	700 mm
External dimensions, Width:	1200 mm
External dimensions, Depth:	930 mm
External dimensions, Height:	850 mm
Net weight:	200 kg
Shipping weight:	221 kg
Shipping height:	1080 mm
Shipping width:	1020 mm
Shipping depth:	1260 mm
Shipping volume:	1.39 m ³
Certification group:	N9CG

If appliance is set up or next to or against temperature sensitive furniture or similar, a safety gap of approximately 150 mm should be maintained or some form of heat insulation fitted.